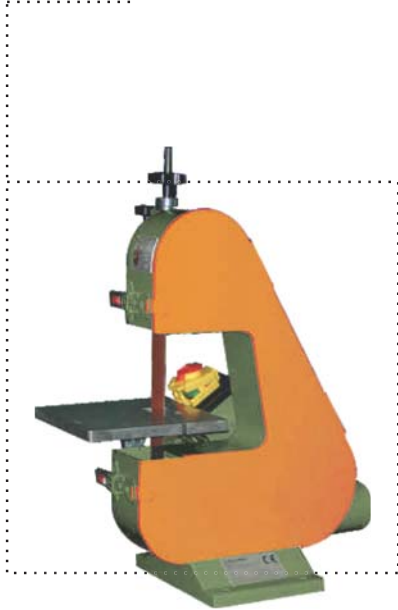




ASTRO series

Astro 1T



Astro 2



Astro 3T



.....**T.e.c.h.n.i.c.a.l.f.e.a.t.u.r.e.s.**.....

Grinding machine suitable for works that require a vertical free belt

Retractable vertical support plate

Aadjustable flat support plate (only T models)

Electric motors with intrinsic safety springs emergency brake

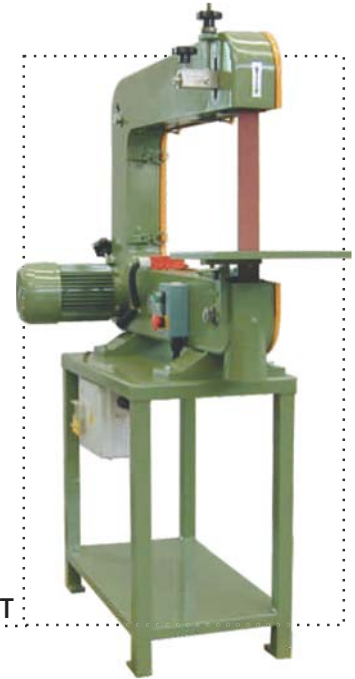
Electric equipment with push-button panel b.t. 24V

ASTRO series

Technical data

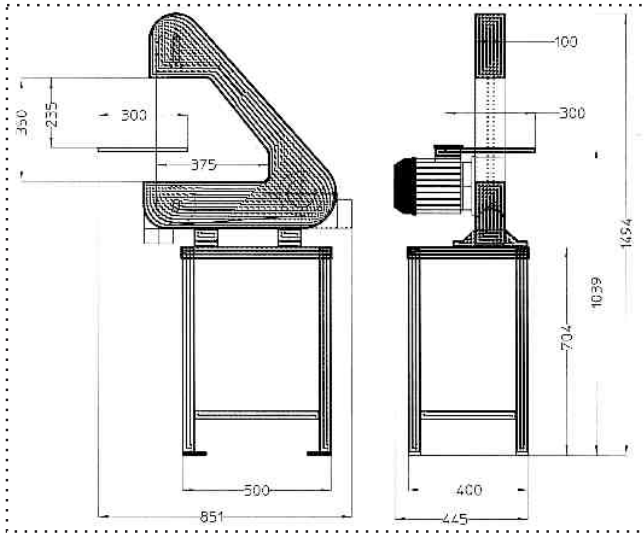
model	Astro 1	Astro 2	Astro 3
Motor rating [kW]	1,1	1,5	2,2
Belt development [mm]	1300x50	2000x50	3000x50
Speed [rpm]	3000	3000	3000
Speed [m/s]	23	23	23

Astro

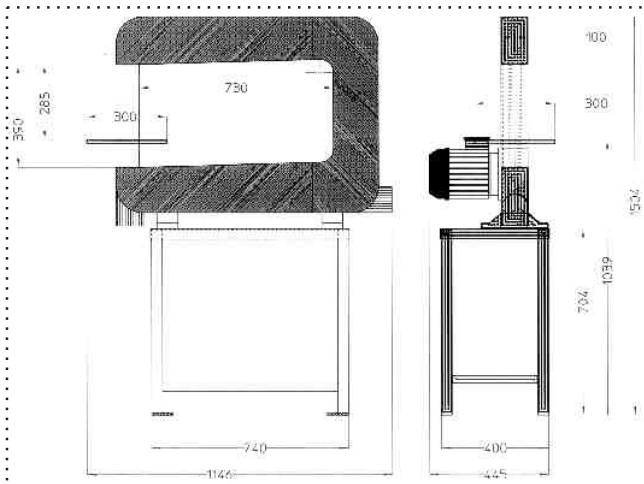
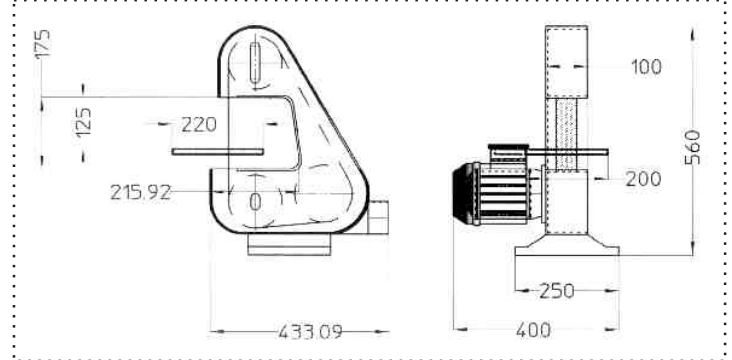


Astro 3T

Astro 2T



Astro 1T



Astro 3T

model	Weight [Kg]
Astro 1	28
Astro 1T	34
Astro 2	80
Astro 2T	88
Astro 3	104
Astro 3T	112

Weights

Products in compliance with the Machine Directive 98/37/CE

Ciclope reserves the possibility of change, without notice, the dimensions and the executions of the products listed in this brochure.

March 1, 2010

Contact information update:

We have begun the long arduous process of moving our office.
Please continue to direct mail to:

Sawyer and Smith Corporation
5412 Homegardner Road
Castalia, Ohio 44824

All phone contact to:
423.289.6894

All other email and website information remains the same. You can contact us at any of the existing web addresses. Email is received remotely and responded to more quickly and efficiently than a phone message. If you call the office, please leave a thorough message INCLUDING your email address so that we can send you the required information as soon as possible.

Thank You.